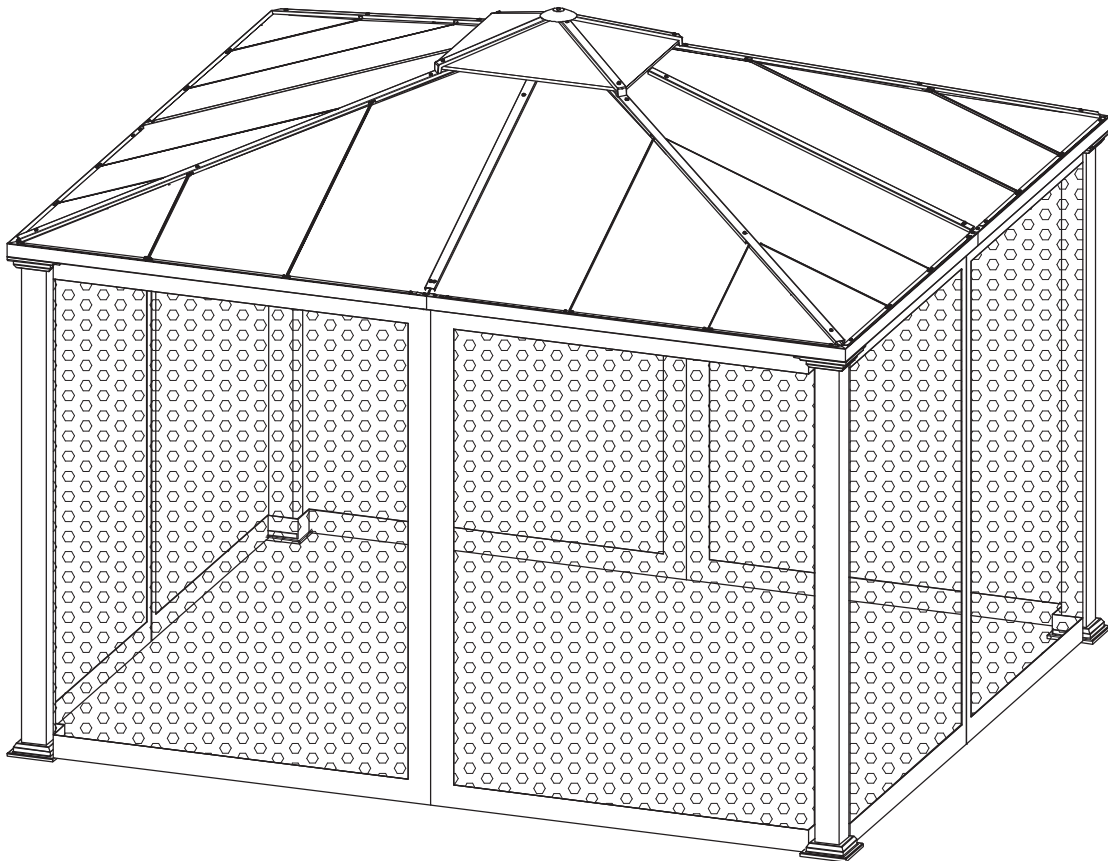


**BHG Sullivan Ridge 10' x 10' steel hard top gazebo with net,**  
**steel without E-coat**  
**ASSEMBLY INSTRUCTIONS**  
**ITEM# BH17-092-097-23**

**ATTENTION: THIS PRODUCT IS NOT FOR COMMERCIAL USE**

**INTENDED FOR RESIDENTIAL USE ONLY.**

Questions, problems, missing parts with this product? Do not return to your retailer, please call our customer service department 9:00 a.m. to 5:00 p.m. Eastern Standard Time Monday through Friday Phone # 1-800-457-4652 or contact us at [www.numarkcustomerservice.com](http://www.numarkcustomerservice.com)



**DON'T RETURN TO STORE**

## **WARNINGS AND CAUTIONS**

---

- \* It is essential to place the gazebo on level ground and not less than 6 feet from any obstruction such as fences, garages, the house, overhanging branches, laundry lines, or electrical wires.
- \* Assembly by at least eight adults is recommended.
- \* Oil all metallic moving parts during usage season.
- \* Always remove the canopy in heavy wind conditions, otherwise the canopy may tip over and may cause damage to its parts.
- \* The user of this gazebo should always inspect it before each use.
- \* Do not discard any of the packaging until you have checked that you have all the parts and pack of fittings.
- \* Keep children away during assembly. This item contains small parts which can be swallowed by children. Children should always be under direct adult supervision while using the product.
- \* The manufacturer will not accept responsibility for unauthorized repair or modifications to the gazebo.
- \* Retain the assembly instructions for future reference.
- \* **Keep all flame and heat sources away from canopy fabric.**  
The canopy is made with flame-resistant fabric which meets CPAI-84 specifications. It is not fireproof. The canopy fabric will burn if left in continuous contact with flame source. The application of any foreign substance to the canopy fabric may render the flame-resistant properties ineffective.

## **CLEANING AND MAINTENANCE**











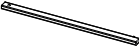


---

- \* Wash frame parts and fabric with mild soap and water, rinse thoroughly. Dry frame completely and allow the fabric to drip dry.
- \* Do not use bleach, acid, or other solvents on the fabric or frame parts.
- \* Please inspect and tighten all bolts or fasteners on a regular basis to ensure proper performance and safety of your gazebo.




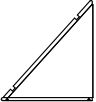




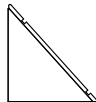


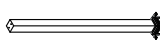
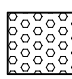
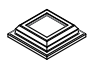

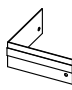
**DON'T RETURN TO STORE**

Remove all components from the polybag and unwrap all package materials. Please count the components, there are:

NO.	Part	Description	Quantity
A1		Top Beam	4
A2		Top Beam	4
B		Short Canopy Frame Bar	4
C		Long Canopy Frame Bar	4
D		Connection Ring	1
E1		Long Connect Bar	4
E2		Long Connect Bar	4
E3		Short Connect Bar	4
E4		Short Connect Bar	4
F		Small Canopy Frame	1
G		Small Canopy Bar	4
H		Small Canopy Cover Slat	4
I		Small Upper Roof Cover	4

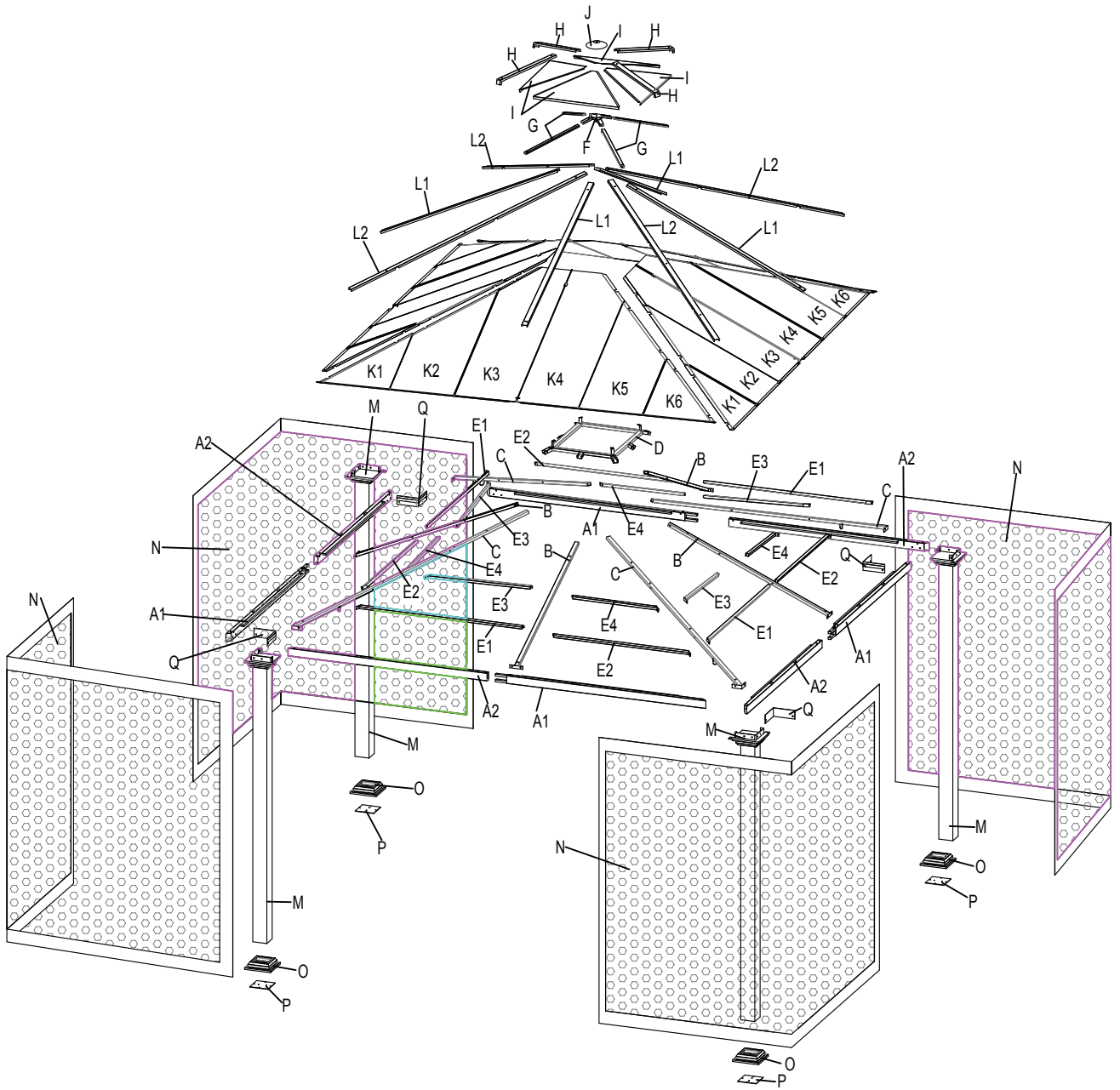


**DON'T RETURN TO STORE**

NO.	Part	Description	Quantity
J		Bowl-shaped Cover	1
K1		Large Upper Roof Cover	4
K2		Large Upper Roof Cover	4
K3		Large Upper Roof Cover	4
K4		Large Upper Roof Cover	4
K5		Large Upper Roof Cover	4
K6		Large Upper Roof Cover	4
L1		Short Large Canopy Cover Slat	4
L2		Long Large Canopy Cover Slat	4
M		Leg Post	4
N		Net	4
O		Base Plate	4
P		Post Base	4
Q		L-shaped Plate	4





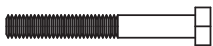
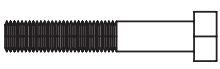

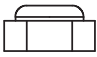





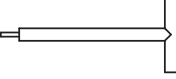

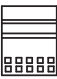


**DON'T RETURN TO STORE**




**STOP DON'T RETURN TO STORE**

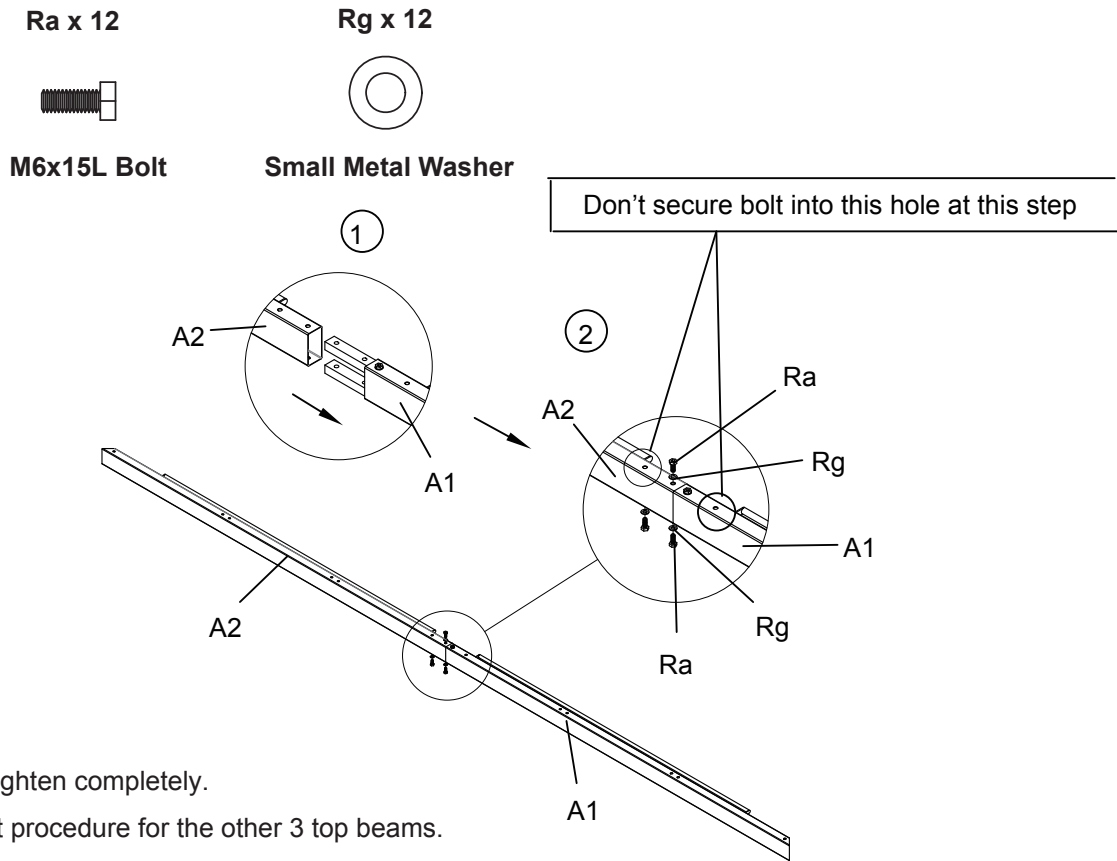
# ACCESSERY

NO.	Part	Description	Quantity
Ra		M6x15L Bolt	96+3 Spare
Rb		M6x20L Bolt	24+1 Spare
Rc		M6x30L Bolt	8+1 Spare
Rd		M6x36L Bolt	24+1 Spare
Re		M6x50L Bolt	16+1 Spare
Rf		M8x45L Bolt	1
Rg		Small Metal Washer	176
Rh		M6 Nut	16+1 Spare
Ri		M6x12 Countersink Screw	8+1 Spare
Rj		Lock Washer	8+1 Spare
Rk		Lawn Stake	16
RI		M6 Large Metal Washer	8
Rm		Open Hex Wrench	2
Rn		Long Allen Wrench	1
Ro		Allen Wrench	2
Rp		Assembly Instruction Sheet	1

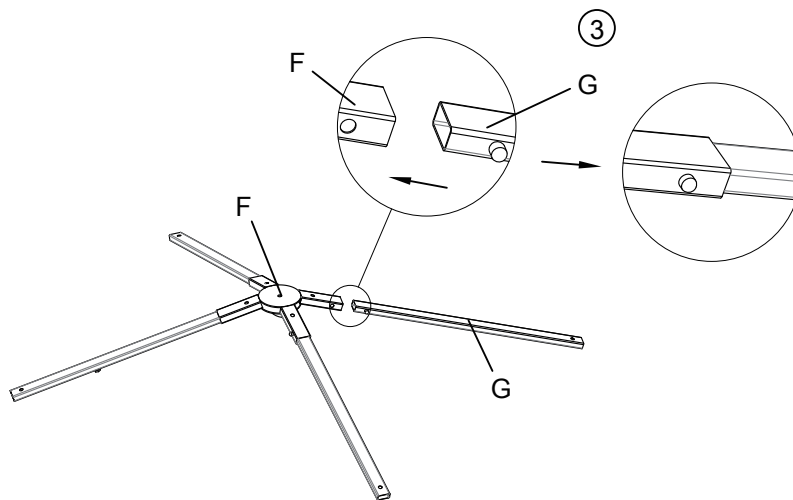


**DON'T RETURN TO STORE**

# Step 1



# Step 2



Repeat procedure for the other 3 small canopy bars.



**DON'T RETURN TO STORE**

### Step 3

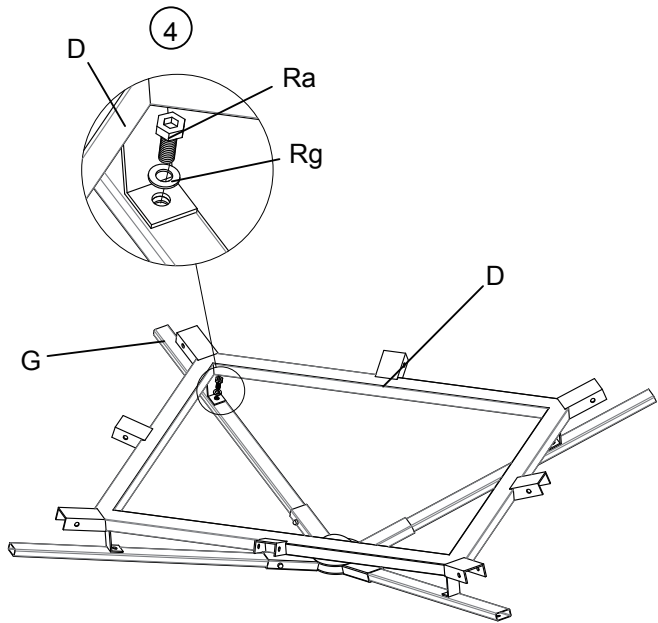
- Ra x 4**



**M6 x 15 Bolt**
- Rg x 4**



**Small Metal Washer**




Don't tighten completely.


Repeat procedure for the other 3 holes. Tighten all bolts of above steps.

### Step 4


- Rb x 8**



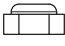
**M6 x 20 Bolt**
- Re x 4**



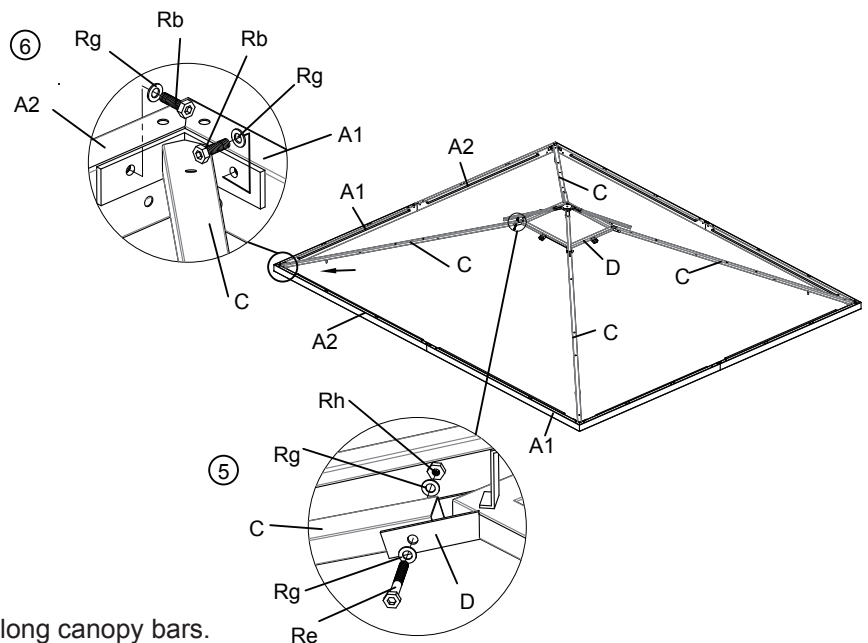
**M6 x 50 Bolt**
- Rg x 16**



**Small Metal Washer**
- Rh x 4**



**Nut**




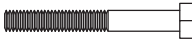

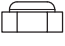
Don't tighten completely.

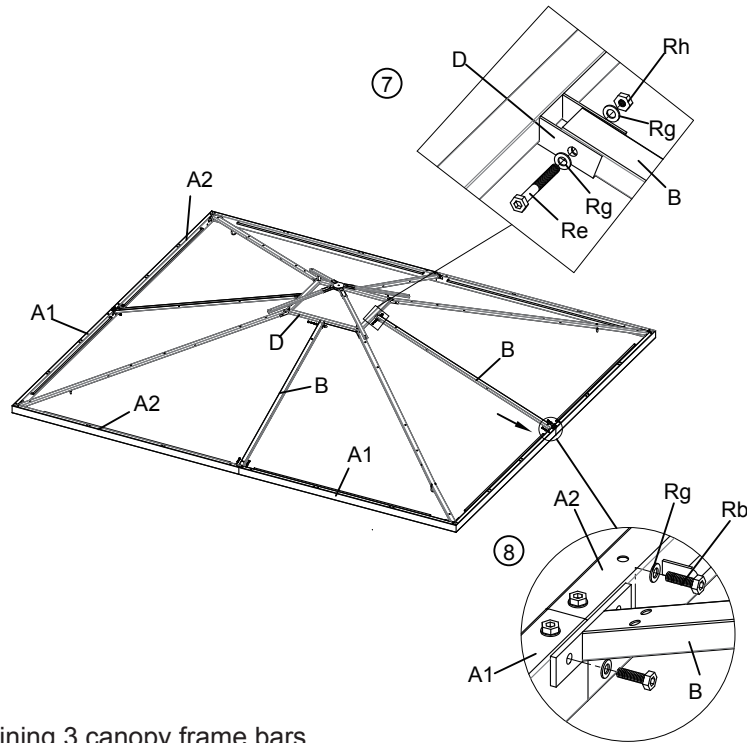
Repeat procedure for the other 3 long canopy bars.


**STOP DON'T RETURN TO STORE**



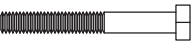

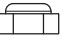
# Step 5

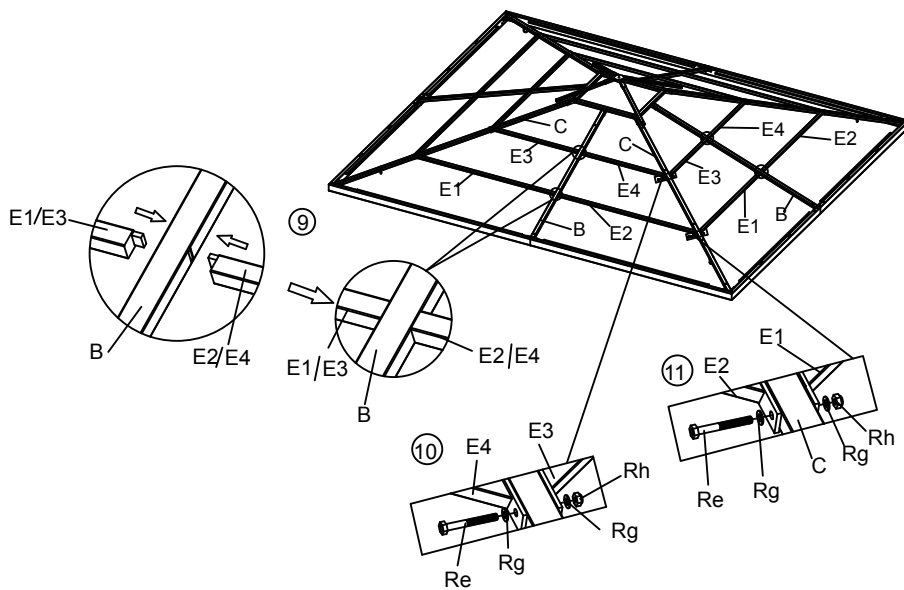
- Rb x 8**  
  
 M6 x 20 Bolt
- Re x 4**  
  
 M6 x 50 Bolt
- Rg x 16**  
  
 Small Metal Washer
- Rh x 4**  
  
 Nut



Don't tighten completely.  
 Repeat procedure for remaining 3 canopy frame bars.


# Step 6

- Re x 8**  
  
 M6 x 50 Bolt
- Rg x 16**  
  
 Small Metal Washer
- Rh x 8**  
  
 Nut

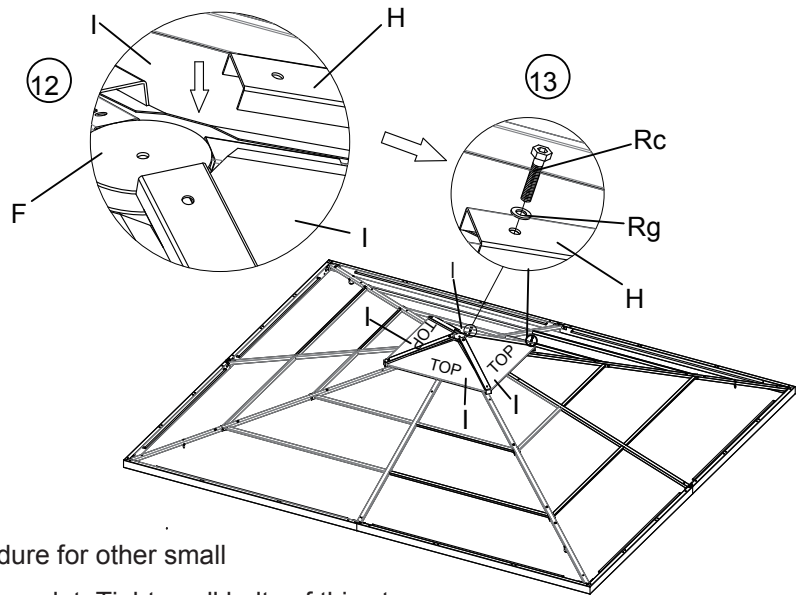


Don't tighten completely.  
 Repeat procedure for other 3 connect bars. Tighten all bolts of above steps.

## Step 7

Rc x 8  
  
M6x30L Bolt

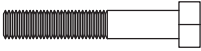
Rg x 8  
  
Small Metal Washer

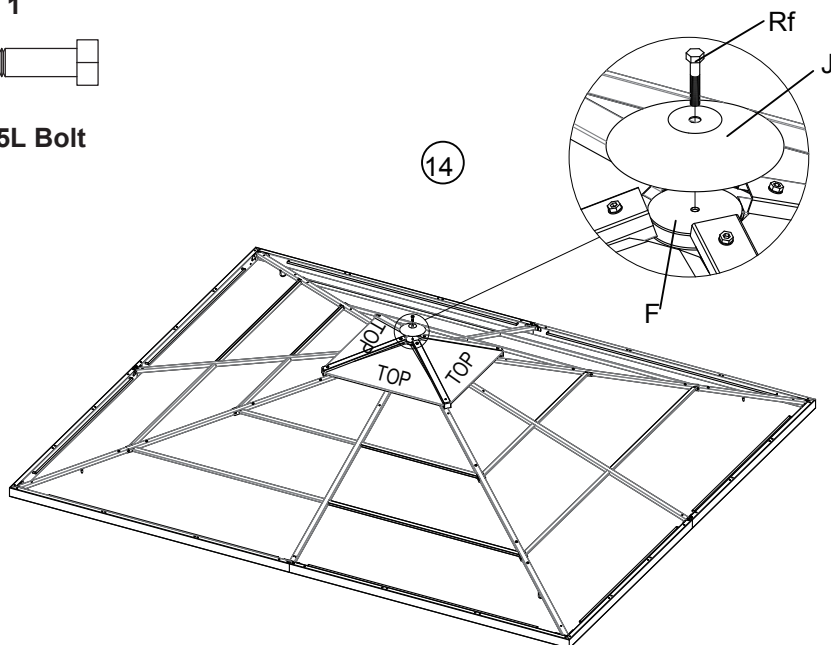


NOTE: Top label facing upside.

Don't tighten completely. Repeat procedure for other small upper roof covers and small canopy cover slat. Tighten all bolts of this step.

## Step 8

Rf x 1  
  
M8x45L Bolt



NOTE: Top label facing upside.

Securely tighten all bolts of this step.



**DON'T RETURN TO STORE**

# Step 9

Ra x 20



M6x15L Bolt

Rg x 16

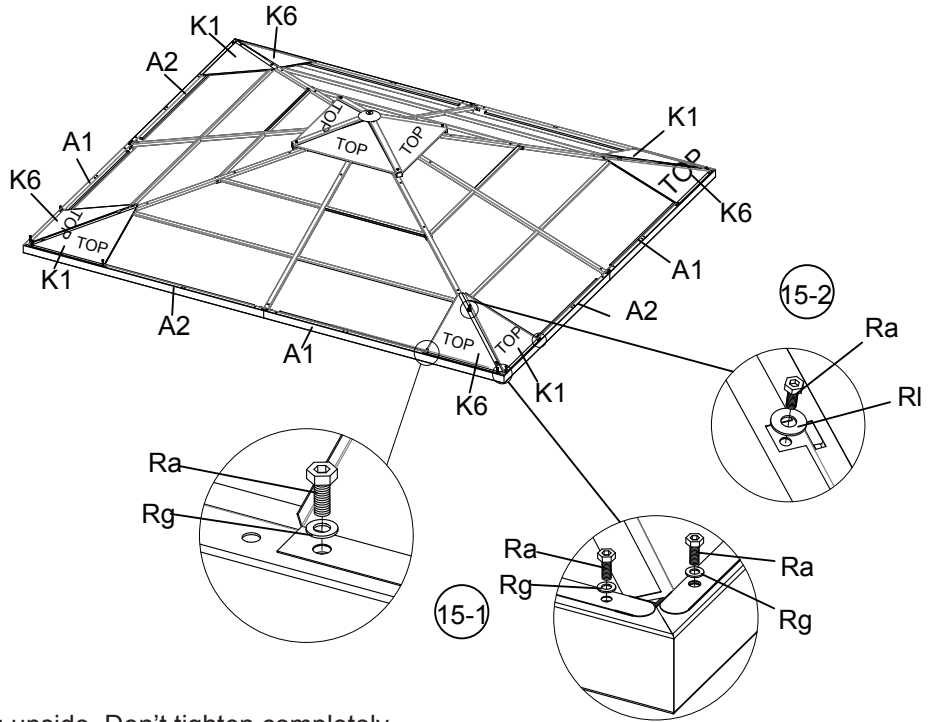


Small Metal Washer

RI x 4



Large Metal Washer



NOTE: Top label facing upside. Don't tighten completely.  
Repeat procedure for other large upper roof covers(K1& K6).

# Step 10

Ra x 20



M6x15L Bolt

Rg x 16

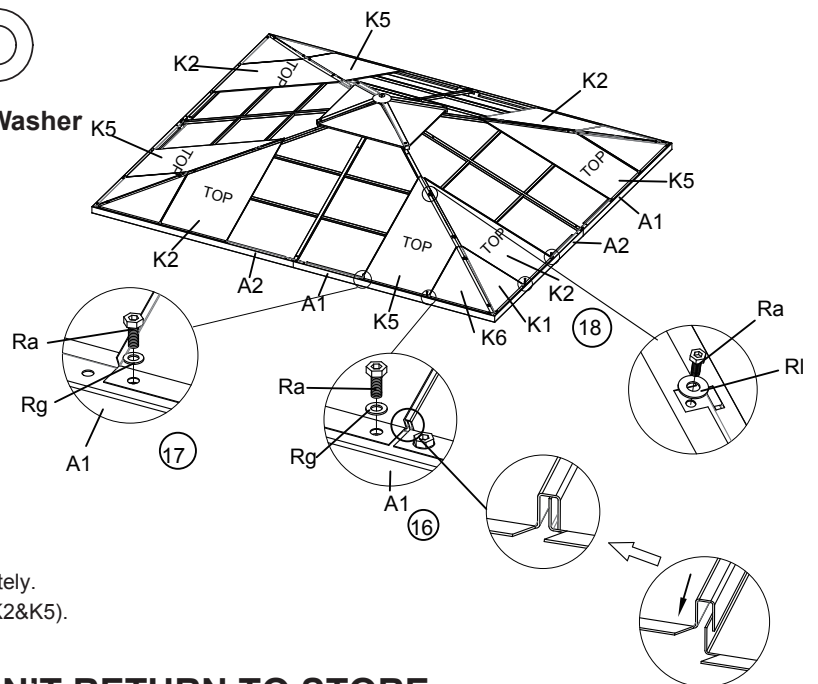


Small Metal Washer

RI x 4



Large Metal Washer



NOTE: Top label facing upside. Don't tighten completely.  
Repeat procedure for other large upper roof covers(K2&K5).



**DON'T RETURN TO STORE**

## Step 11

Ra x 16

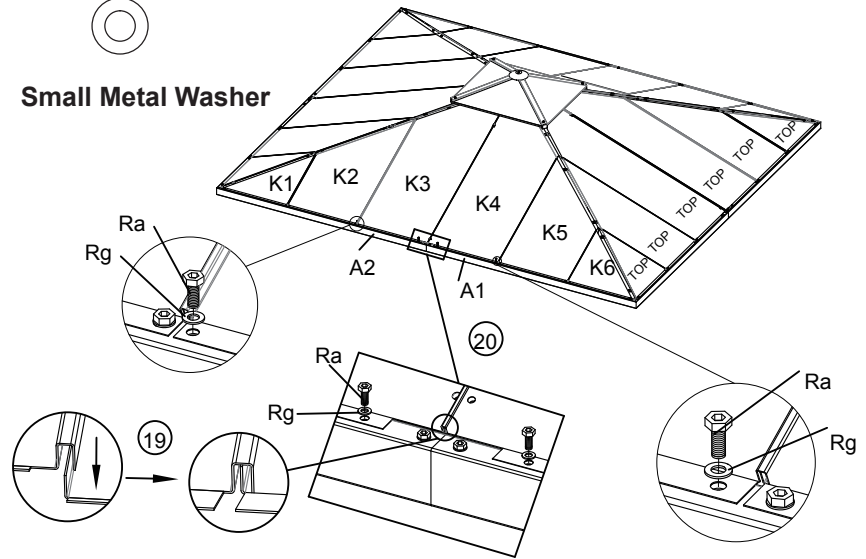


M6x15L Bolt

Rg x 16



Small Metal Washer



NOTE: Top label facing upside. Don't tighten completely.

Repeat procedure for other large upper roof covers(K3&K4).

Tighten all bolts of above steps.

## Step 12

Rd x 12

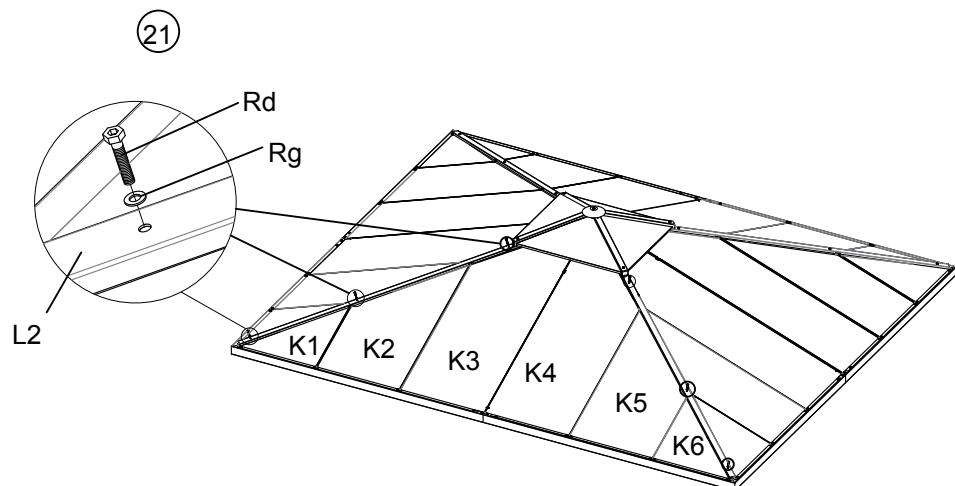


M6 x 36 Bolt

Rg x 12



Small Metal Washer



Don't tighten completely.

Repeat procedure for other 3 long large canopy cover slats.



**DON'T RETURN TO STORE**

## Step 13

Rd x 12

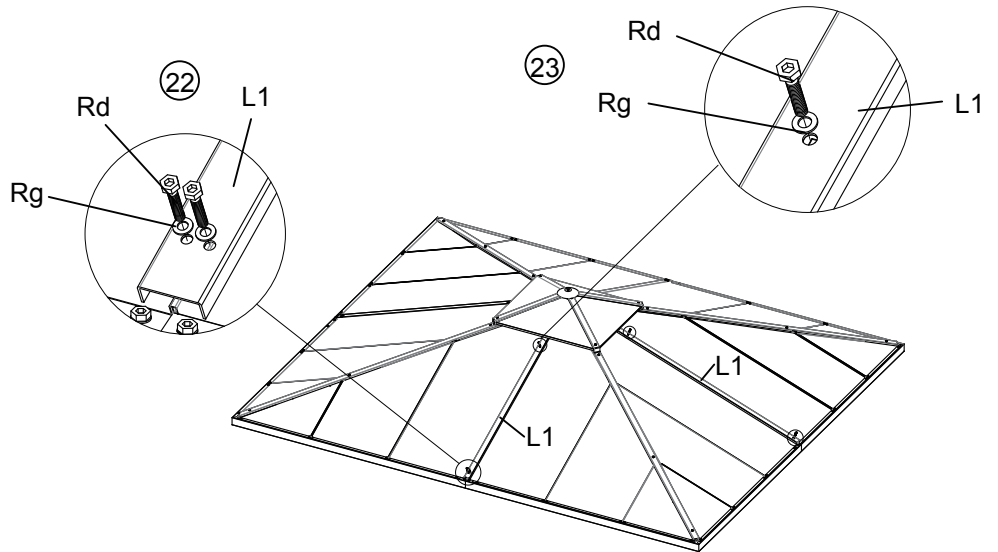


M6x36L Bolt

Rg x 12



Small Metal Washer



Don't tighten completely.

Repeat procedure for other short large canopy cover slats.

Securely tighten all bolts for all above steps.

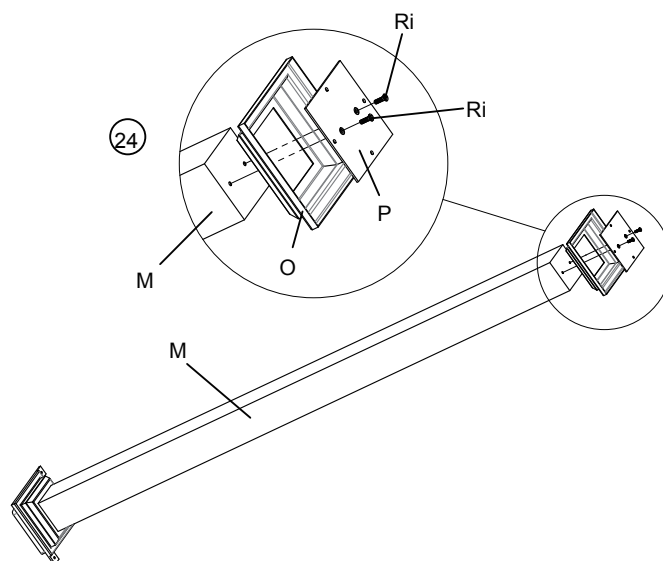
---

## Step 14

Ri x 8



M6x12L Bolt



Securely tighten all bolts.

Repeat procedure for the remaining three leg posts.



**DON'T RETURN TO STORE**

## Step 15

Rb x 8



M6x 20L Bolt

Rg x 8

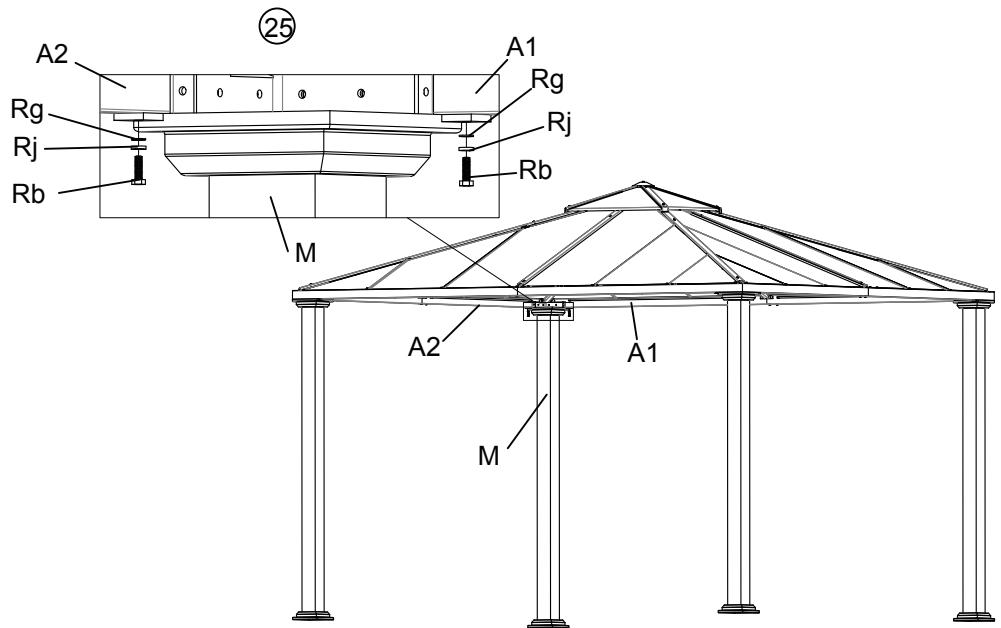


Small Metal Washer

Rj x 8



Locker Washer



Don't tighten completely.

Repeat procedure for the remaining three leg posts.

## Step 16

Ra x 16

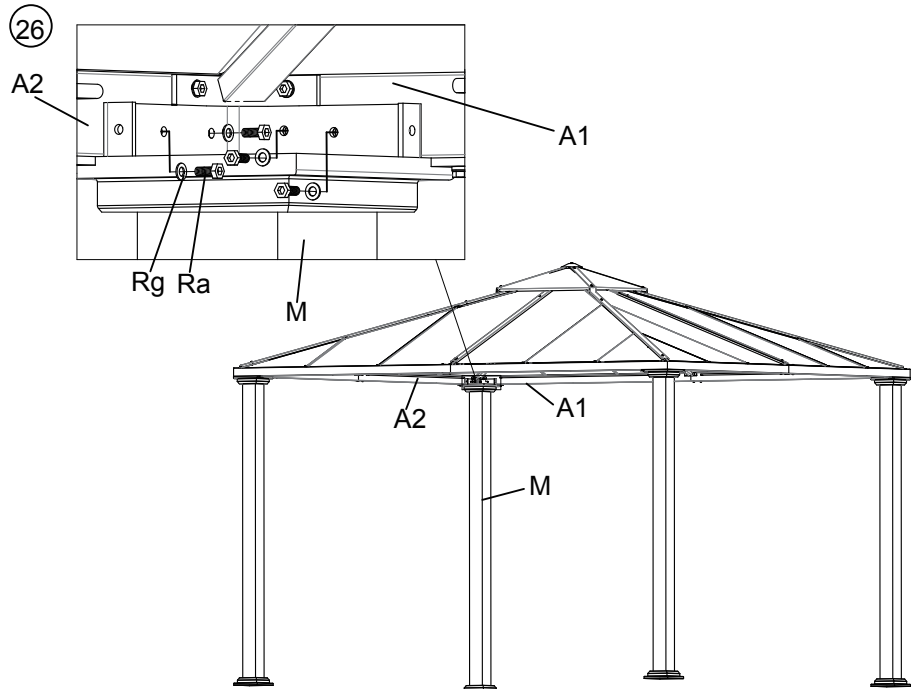


M6 x 15 Bolt

Rg x 16



Small Metal Washer



Repeat procedure for the remaining three leg posts.

Securely tighten all bolts for Step 15&16.



**DON'T RETURN TO STORE**

## Step 17

Ra x 8

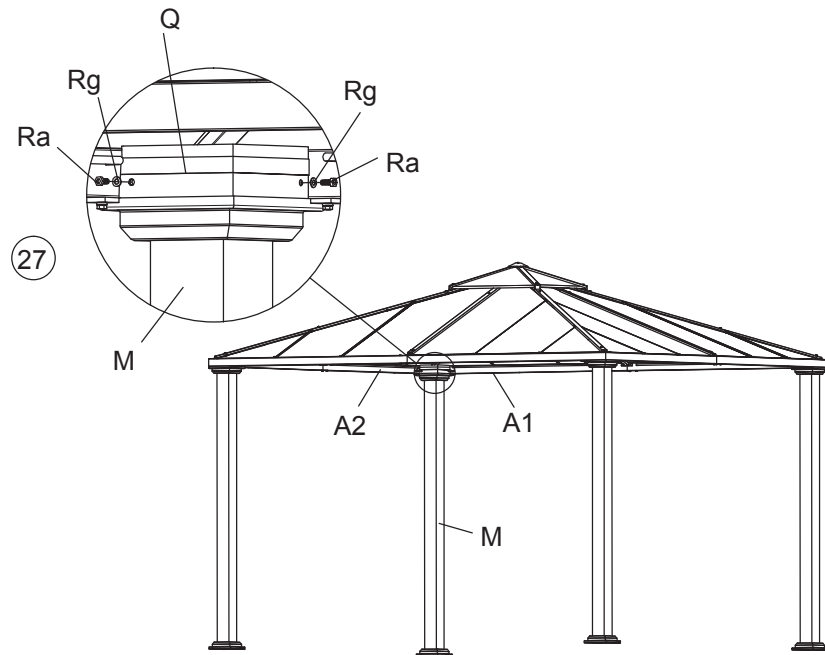


M6x 15L Bolt

Rg x 8



Small Metal Washer

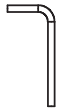


Securely tighten all bolts.

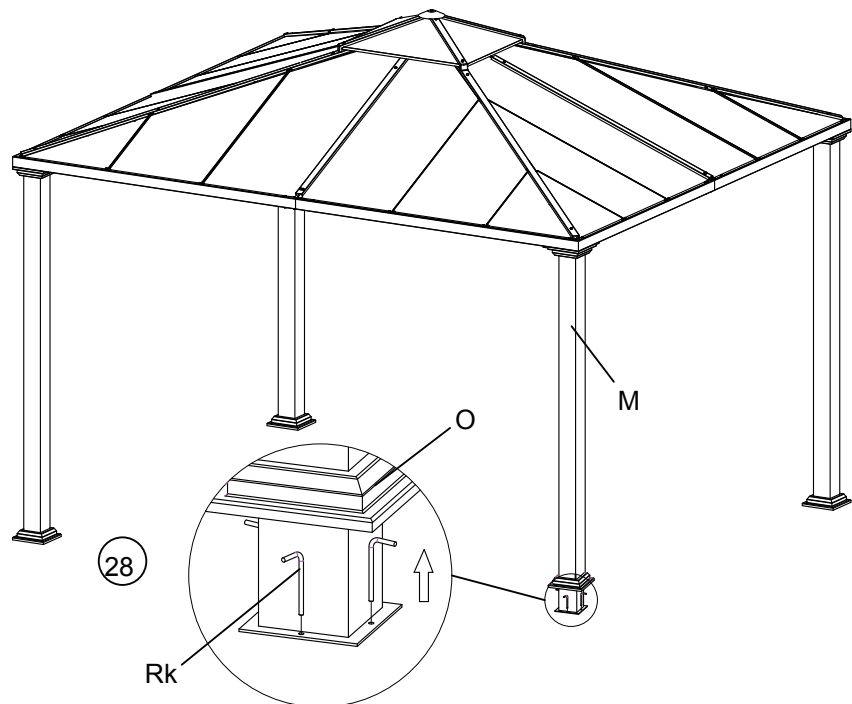
Repeat procedure for the remaining 3 "L" shaped plates.

## Step 18

Rk x 16

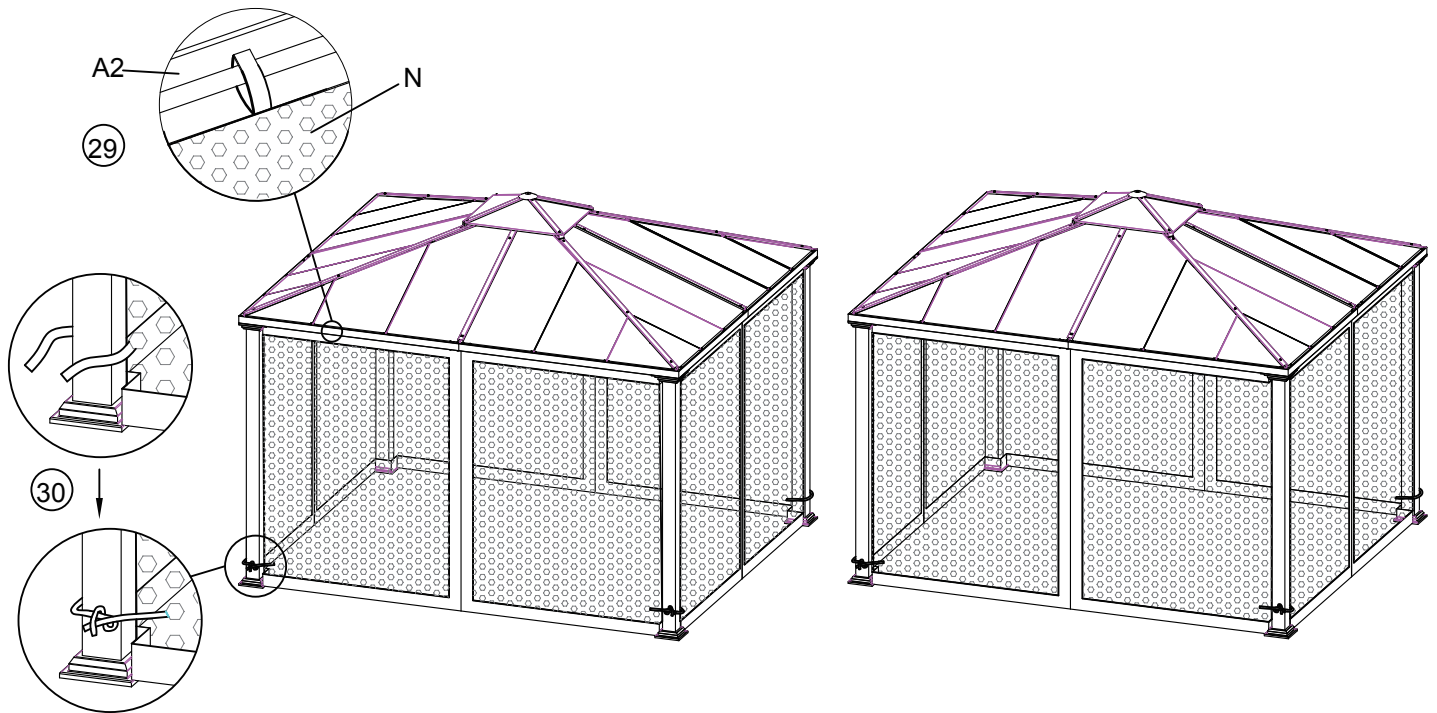


Lawn Stake



**DON'T RETURN TO STORE**

# Step 19



Your gazebo with net is now ready for use.

**STOP** DON'T RETURN TO STORE